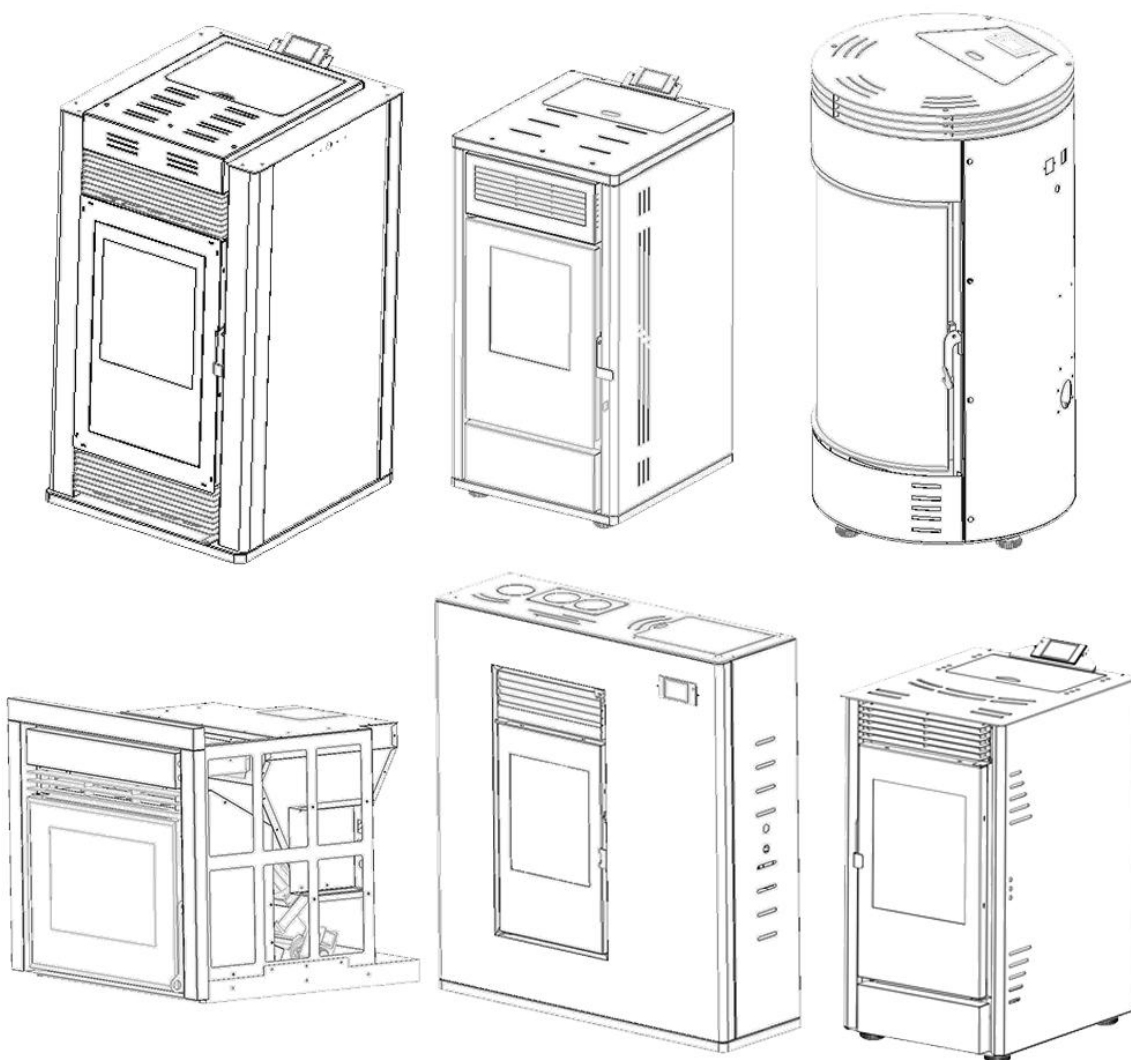


Pellet Stove

INSTRUCTIONS FOR INSTALLATION, USE AND MAINTENANCE



Please read this entire manual before installation and use of this pellet fuel-burning room heater. Failure to follow these instructions could result in property damage, bodily injury or even death.

Contact local building or fire officials about restrictions and installation inspection requirements in your area.

Save these Instructions.

Dear Customer,

Thank you for having chosen one of our products, which is the result of years of experience and continuous research aimed at making a superior product in terms of safety, reliability and performance.

This booklet contains information and advice for safe and efficient use of your product.

IMPORTANT INFORMATION

The following symbols are used in some parts of the booklet:

CAUTION: for actions that require particular caution and suitable preparation.

FORBIDDEN: for actions that UNDER NO CIRCUMSTANCES must be carried out.

Contact local building authority (such as municipal building department, fire department, fire prevention, bureau. etc.) before installation to determine if a permit and/or inspection is required.

- This instruction booklet has been prepared by the manufacturer and is an integral part of the product. In the event of sale or relocation of the product make sure this booklet accompanies it, since the information contained in it is intended for the purchaser and for anyone involved in the installation, use and maintenance of the product.
- Read the instructions and the technical information contained in this booklet carefully before proceeding with installation, use or any repairs.
- The observance of the instructions and technical information in this instruction booklet guarantees the safety of persons and property; it also ensures more efficient operation and an increased lifespan.
- Manufacturer or distributor cannot be held responsible for damage or injury due to failure to comply with the instructions for installation, use and maintenance given in this booklet, or due to unauthorized alterations or to the use of other than original spare parts.
- Appliance installation and use must conform with the manufacturer's instructions as well as with European and national legislation and local regulations.
- Installation, electrical connection, checks, maintenance and repairs are operations which must be carried out exclusively by qualified and authorized personal with specialized knowledge of the product.
- The wall against which the product is to be placed must not be of wood or any other flammable material. For correct installation it is also important to comply with the section entitled "**MINIMUM SAFETY DISTANCES**".
- Before installing the product read all instruction booklets relevant to the cladding, the ventilation kit and any other accessory.
- Check that the floor where the product is to be installed is perfectly level.
- When handling the steel parts of the cladding it is advisable to use clean cotton gloves to avoid leaving fingerprints that are difficult to remove at first time of cleaning.
- The stove must be assembled by at least two persons.

- Connect the pellet stove to the electricity supply only after it has been connected by an expert to the flueway.
- The plug at the end of the power cable must be easily accessible after installation.
- Use only recommended wood pellets in the pellet stove (refer to section entitled "**FUEL**").
- Never use liquid fuels to light the pellet stove or to relight the embers.
- Ensure that the area where the stove is installed is properly ventilated while the stove is lit.
- In the event of malfunctioning the fuel supply will be stopped. Restart the stove only after having eliminated the cause of the malfunction.
- Stop using the product in the event of fault or malfunctioning.
- Do not remove the protective grille from the pellet hopper.
- Any build-up of unused pellets in the burner left over from repeated failed ignitions must be removed before attempting to light the stove again.
- Stove operation can result in surfaces, handles, flue pipe and glass becoming extremely hot. When the stove is in operation, only touch these parts if wearing protective clothing otherwise use suitable tools.
- Because of the build-up of heat on the glass, take care that those who are unfamiliar with stove operation do not linger near the stove.
- This appliance must not be used by persons (including children) with reduced physical, sensory or mental capacities, or lack of experience or knowledge unless they are supervised or instructed on use of the appliance by the person who is responsible for its safety.
- Creaking may be heard while the stove is in operation or cooling down. This is not to be considered a defect, but is a consequence of thermal expansion of the component materials.
- The product you have purchased may differ slightly from the one illustrated in this booklet since the pictures are only given as an indication and not an exact portrayal.

In the event of difficulties or if you are unable to understand the instruction booklet, contact your local dealer.

Do not place objects which are not heat-resistant on top of the stove or within the recommended minimum safety area.

Do not open the door while the stove is in operation or operate the stove when the glass is broken.

In case of any alarm signals do not unplug the stove: just turn the unit OFF.

See the guarantee certificate enclosed with the product for the terms, limitations and exclusions.

In line with its policy of constant product improvement and renewal, the manufacturer may make changes without notice.

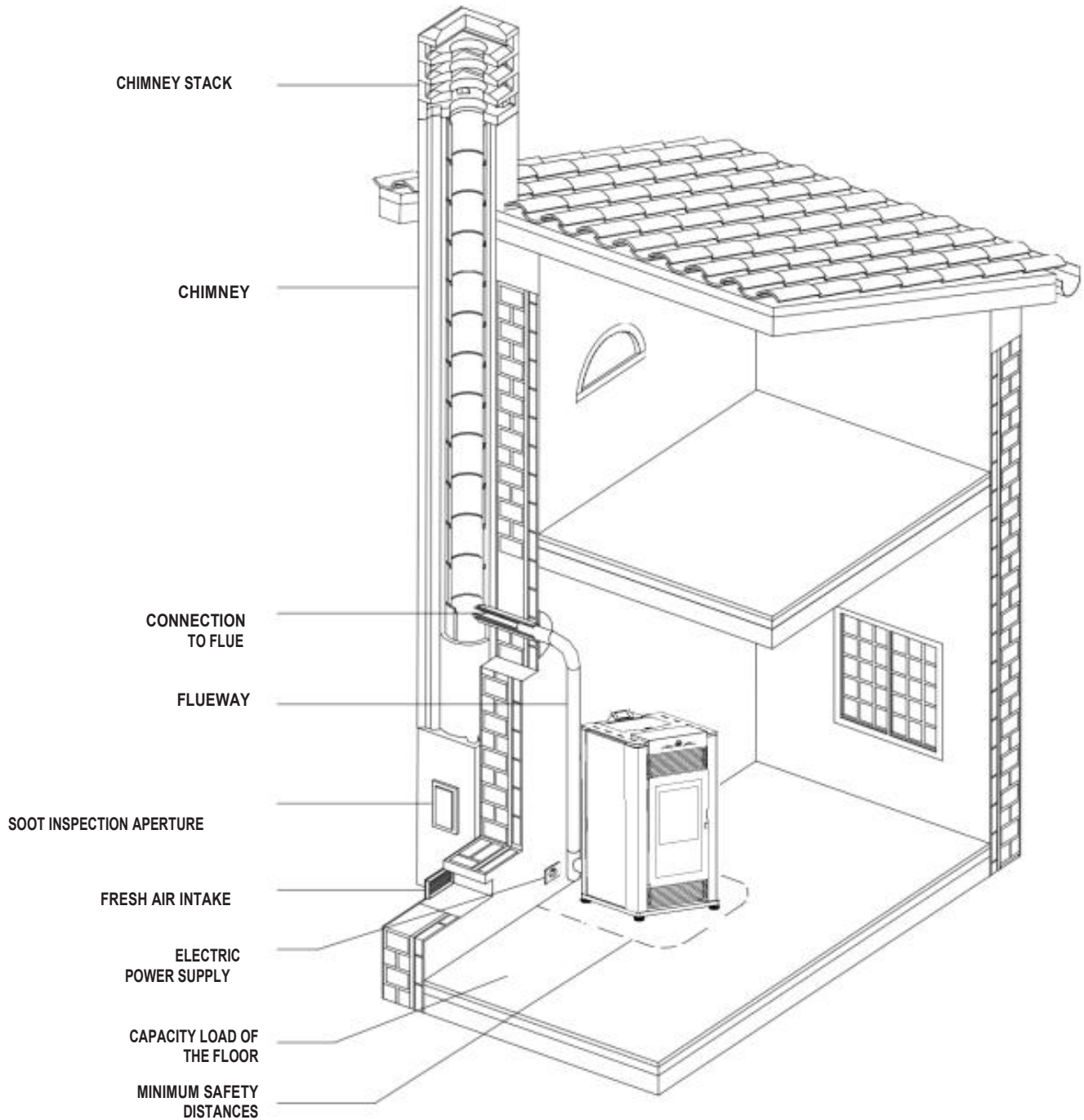
CONTENTS

Section Title	Page
1.0 GENERAL RULES	4
Soot inspection -----	4
Fresh air intake -----	5
Outside combustion air-----	5
Installation environment-----	5
Capacity load of the floor -----	6
Minimum safety distances -----	6
Flueway -----	7
Interior vent installation -----	9
Connecting to a conventional chimney-----	10
Installing into an existing firebox chimney-----	11
Short rise installation –Wall outlet -----	11
Venting: termination requirements -----	12
Prevention of domestic fires-----	13
Mobile home installation -----	14
2.0 TECHNICAL CHARACTERISTICS AND SPECIFICATIONS-----	15
Features -----	15
Technical data -----	15
Accessories and equipment -----	15
Wiring Diagram -----	16
3.0 FUEL -----	17
4.0 PREPARING FOR INSTALLATION -----	17
5.0 USE -----	18
Loading the pellets-----	18
6.0 PRODUCT AND CONTROL SYSTEM -----	19
Dimensional Diagram -----	19
Control system - Main page-----	25
Control system - Setting page-----	26
Control system - Timing program-----	27
Connect WIFI module -----	28
7.0 ERROR AND SOLUTIONS -----	29
8.0 MAINTENANCE-----	30

1.0 GENERAL RULES

Ensure that the installation of your product conforms to all the indications given below.

Fig. 1



SOOT INSPECTION

We recommend that the flue must have a chamber for collecting solid matter and any condensate located below the connection and which may be easily inspected by means of an airtight door. (Fig. 1)

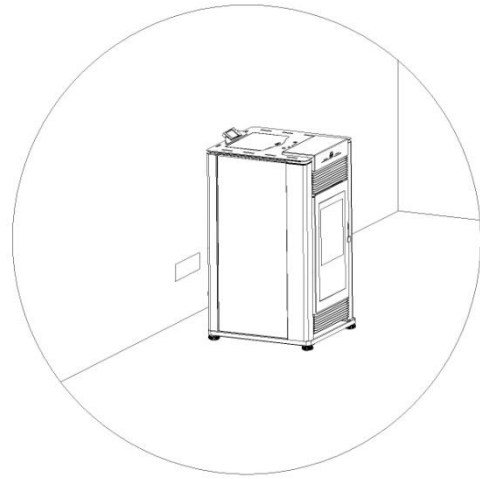
FRESH AIR INTAKE

To ensure trouble-free operation the stove must have the necessary air available for combustion and this is provided through the fresh air intake.

The fresh air intake must:

- have a total free cross section at least equal to the size given in the paragraph "TECHNICAL DATA";
- be protected by a grille or suitable guard provided it does not reduce the minimum recommended section;
- be in a position whereby it cannot be obstructed.

Fig.
2



OUTSIDE COMBUSTION AIR

It is recommended that the stove be connected to an outside source of combustion air under certain conditions (negative pressure).

To install outside air use any 2" I.D. flexible metal hose or rigid metal pipe (conduit).

It must be connected around (NOT INSIDE) the combustion air inlet tube (Fig. 3).

Increase the outside air pipe diameter to 3" for runs over 15 ft (4.5 m) and elevation over 4 ft (1 m).

Long runs should be avoided.

Be careful not to pinch or bend the outside air pipe with too small a radius.

Outside Air Pipe may be terminated flush with the outside wall but should be protected from wind and weather by a hood.

The outside air pipe must terminate above the maximum snow line and below the exhaust vent outlet.

Take care not to draw cold air past water pipes that may freeze.

An open mesh screen should be placed over the outside air pipe opening to prevent birds or rodents from nesting in the opening. Use an elbow or shield to prevent prevailing winds from blowing directly into the outside air intake pipe.

ENVIRONMENT

Contact local building authority before installation to determine if a permit and/or inspection is required.

When locating your appliance, consider the building structure to ensure the vent will not interfere with any ceiling joists, roof rafters, wall studs, water pipes or electrical wiring. It may be easier to relocate the appliance than to rework the building structure.

The room where the appliance is to be installed must comply with the following requirements:

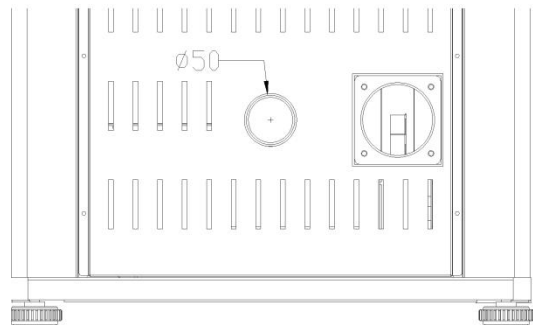
They must not be used as a garage, store for combustible material or for activities with a risk of fire.

Locating the stove in a room with an explosive atmosphere is prohibited.

They must not be in a vacuum in relation to the outside environment due to the effect of contrary draught caused by the presence in the room where the firebox is installed of another appliance or an extractor device.

The stove or firebox must not be used simultaneously with collective type ventilation ducts with or without extractor fan, other devices or other appliances such as: forced ventilation systems or other heating systems using ventilation to change the air. Such systems could cause a vacuum in the environment of installation even if installed in adjoining or communicating rooms.

Fig.
3



NOTE: Mesh screen should be no smaller than 1/4" by 1/4" (6.4 by 6.4 mm).

Outside combustion air is required for all mobile home installations and where building codes require.

In bedroom or bathroom installations the outside air connection is required.

LOADING CAPACITY OF THE FLOOR

Check the load-bearing capacity of the floor, referring to the weight of the product given in the paragraph **“TECHNICAL DATA”**. If the floor does not have a suitable load-bearing capacity, adequate countermeasures must be taken.

MINIMUM SAFETY DISTANCES

Install the product in compliance with the recommended safety distances from heat sensitive or inflammable materials and not inflammable, from load bearing and other walls and also from wooden elements, furniture, etc.

The minimum distances are:

- 4" (10 cm) from the wall behind the stove;
- 6" (15 cm) from the side wall;
- 32" (80 cm) in the heat radiation area and from the the hot air fan outlet.

In the case of flooring that is heat sensitive or inflammable the floor must be protected with non-combustible insulating material, e.g. sheets of steel plate, marble, tiles, etc.

The floor protection must extend:

- under the product;
- a minimum of 6" (152 mm) in front of unit and beyond each side of the fuel loading and ash removal opening (4" / 10cm from the external side of the coating).

Connection to the flue must respect minimum safety distances from heat-sensitive structural components or inflammable materials (wood paneling, beams or ceilings, etc) shown in figures.

The stove will become hot while in operation. Keep children away from all stovesurfaces.

Direct contact with stove while operating may cause skin burns.

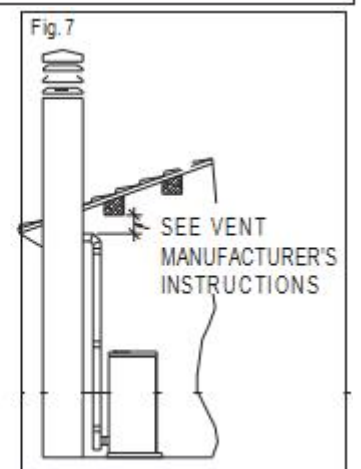
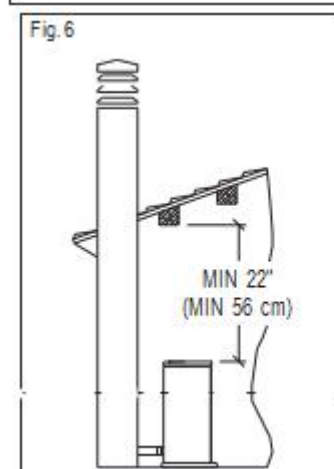
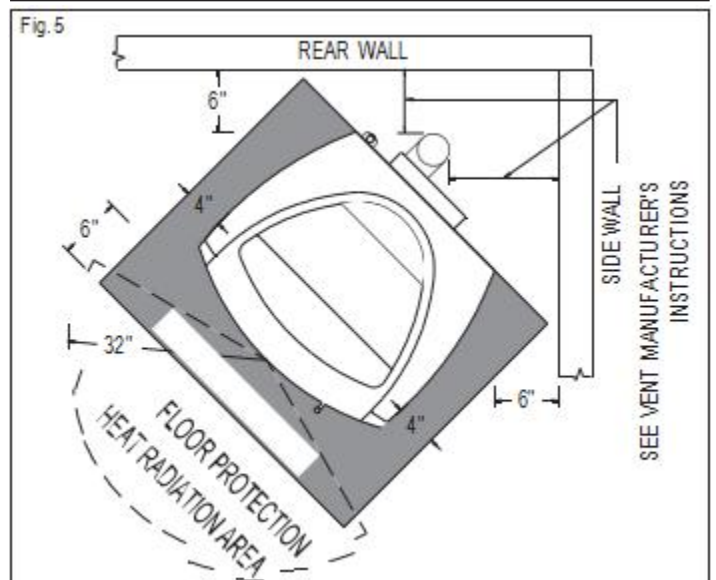
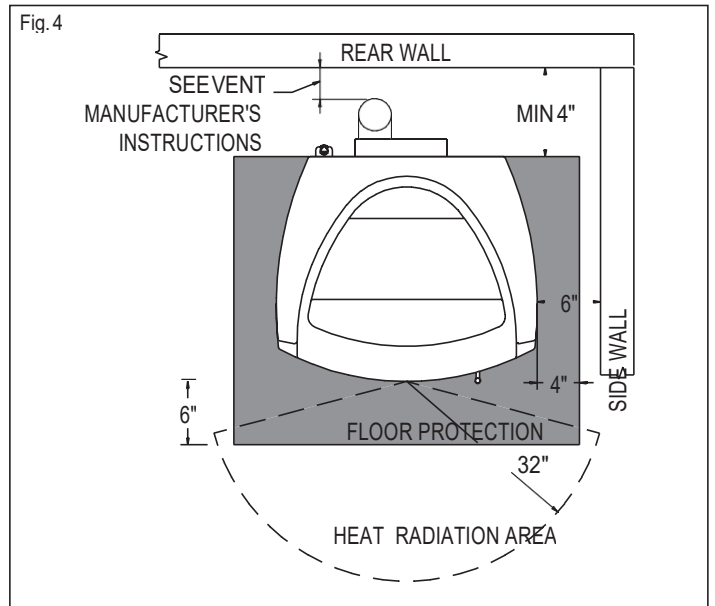
Keep any combustible product such as wooden furniture, curtains, carpets, combustible liquids, etc. well away from the stove when it is lit (minimum distance 32" / 80 cm).

It is recommended that greater distances than those indicated above be left all round the stove to make any necessary work on the appliance easier.

INSTALL VENT AT CLEARANCES SPECIFIED BY THE VENT MANUFACTURER.

Certain local code restrictions may apply.

Check with Local Officials first before installing.



FLUEWAY

The stove requires a CE listed pellet vent. So the venting system shall be approved for pellet stoves by a certified testing Laboratory. PL Vent must be used for venting all Freestanding stoves.

Do not use to vent pellet appliance these venting materials and products:

- Dryer vent
- Gas appliance (Type B) vent
- PVC (plastic) pipe
- Single wall stove pipe.

The pellet stove is not the same as other stoves. It has a forced draught of flue gas by a fan, which keeps the firebox in a vacuum and the entire flueway slightly pressurize. For this reason the flue must be completely airtight and correctly installed to ensure both trouble-free operation and user safety.

- The flueway **must be made** by specialized personnel or firms, as outlined below.
- The flue must be installed in such a way as to guarantee that periodic cleaning can be carried out without dismantling any parts whatsoever.
- Pipes should **always** be sealed with silicone (**not cement-based sealants**) or specially adapted gaskets/seals, which retain their strength and elasticity at high temperatures (>450°F/230°C), and should be fixed with at least three sheet metal screws.

Using the relative pipe clips, fix the flue to the wall so that it does not weigh on the smoke fan.

DO NOT INSTALL A FLUE DAMPER IN THE EXHAUST VENTING SYSTEM OF THIS UNIT.

DO NOT CONNECT THIS UNIT TO A CHIMNEY FLUE SERVING ANOTHER APPLIANCE.

Do not connect to a flueway into which extractor hoods discharge vapours.

The very hot exhaust gases may cause skin burns: keep a considerable distance away from the appliance.

The exhaust gases from the combustion of pellets fuel may dirty the outside of the walls. To avoid such possibility terminate the vent above the roofline.

Pipes and maximum usable lengths

The exhaust pipe on all stoves is 3" (76 mm) O.D. so the stove was designed to accommodate a 3" stove pipe adaptor but the diameters of the pipes depends on the type of installation. Your installation may require the use of 4" vent as shown in Table 1.

TABLE 1: CONNECTION TO FLUE PIPE - PIPE LENGTH

TYPE OF INSTALLATION	WITH 3" DIAMETER PIPE	WITH DOUBLE-WALLED 4" DIAMETER PIPE
Maximum length (with three 90° elbows)	25'	35'
For installations more than 4000' (1200 m) above sea level	-	Required
Maximum number of elbows	3	4
Length of horizontal sections with minimum 3% gradient	10'	10'

Losses in pressure associated with a 90° elbow can be compared to those incurred by three feet of pipe. An inspectable union-tee can be considered equivalent to a 90° bend.

EXAMPLE: if installing a section greater than 20' in length with 3" diameter pipe, calculate the maximum usable length in the following ways:

- If a maximum of **three 90° elbows** are used, the maximum length of the section will be **25'**.
- If a maximum of **two 90° elbows** are used and bearing in mind that a 90° bend can be replaced by 3' of pipe, the maximum length of the section will be **25'+3' = 28'**.
- If a maximum of **one 90° elbows** is used and bearing in mind that a 90° bend can be replaced by one meter of pipe, the maximum length of the section will be **25'+3'+3' = 31'**.

INTERIOR VENTILATION INSTALLATION

This kind of installation provides the natural draft that results from a vertical rise avoiding smoke being released into the house when electricity to the unit is interrupted while burning or smoldering pellets remains in the burngrate.

General vent layout is shown in figure and the procedure is as follows:

Position the appliance in desired location according to appliance installation requirements.

- Use a plumb line to determine location of PL Vent penetration of ceiling.
- Cut hole in ceiling and frame to appropriate opening size. Framing material shall be the same as that of adjacent joist material.
- Install Black Ceiling Support from below joist level and fasten with 4 – 1.5" spiral nails or screws (Fig. 10). Alternatively, a Support Assembly may be used in place of the black ceiling support the support assembly fits to ceiling opening from below and is fastened to joists with 4 - 1.5" spiral nails or screws (Fig. 10).
- Insert first Vent section through Support and tighten the clamp screw. Additionally fasten the vent with four screw (max 1/2" long) through the support collar and into the vent skin.
- Install the vent section(s) atop the first. Twist lock sections together with a clock-wise turn. Before twisting, push vent sections firmly together for proper lock barb engagement. Enough twisting force must be applied to ensure that the collars will compress gasket material.
- Firestops are required where the vent penetrates a floor or ceiling. Cut a hole of the appropriate size in the ceiling/floor and install the Firestop from above or below the joist. Fasten the Firestop with nails through the corners (Fig. 10).
- Elbows may be used to offset the Vent as necessary to jog around joists or rafters. Keep use of elbows to a minimum as they reduce drafts capacity of a vent.
- Continue the Vent up through the roof line.
- Slide the Flashing over the Vent until it sits on the roof line. Slip the upper side of the Flashing base under the roof shingles. Nail the flashing to the roof with a minimum of 8 roofing nails. Seal the Flashing base with appropriate roofing mastic.
- Slide the Storm Collar down the Vent until it sits on the flashing. Apply a bead of silicone around the top of the Storm Collar.
- Extend the PL Vent at least 12" above the roof line and terminate with a PL listed Rain Cap (Fig. 11). If the Vent extends more than 6' above the roof penetration, Roof Brace Poles and a Roof Brace Band must be used to provide lateral support. In geographical regions experiencing sustained low ambient temperature is recommended to enclose exterior vents below the roof line. This help reduce condensation, soot accumulation, and poor drafting.
- Set the Rain Cap onto the top Vent section and twist lock it to the top Vent section (Fig. 11).
- Where the vent system penetrates the air/vapour barrier, the barrier must be sealed to the ceiling support or firestop.

Be sure to use approved pellet vent pipe and ceiling pass-through fittings to go through combustible ceilings.

Strictly observe the PL Vent manufacturer's safety specifications when using ceiling pass through.

INSTALL VENT AT CLEARANCES SPECIFIED BY THE VENT MANUFACTURER.

Ensure that all installation work is carried out to professional standards.

Fig. 10

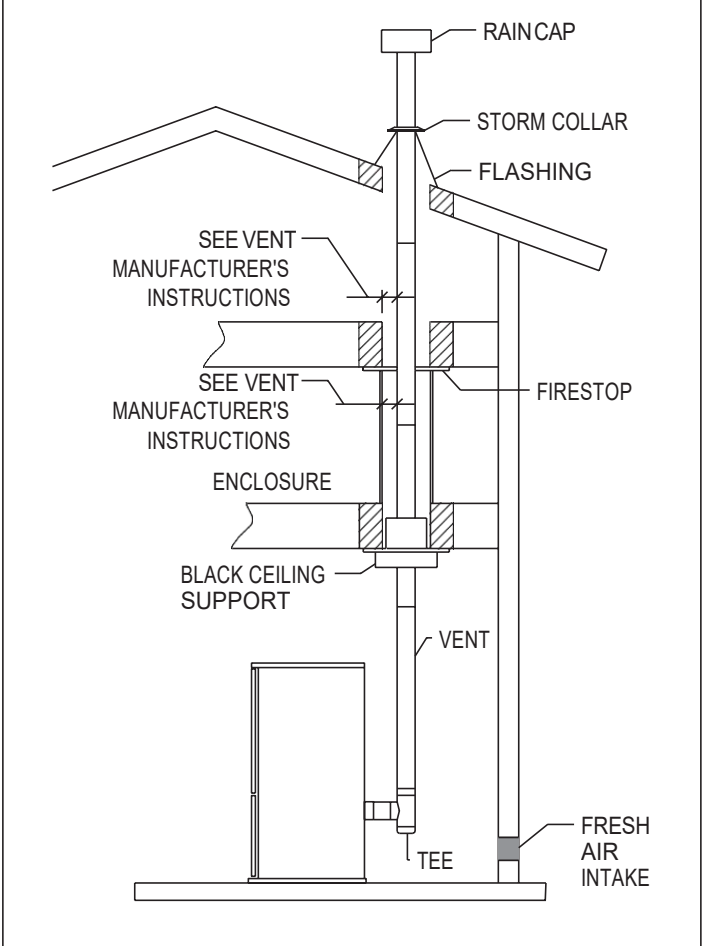
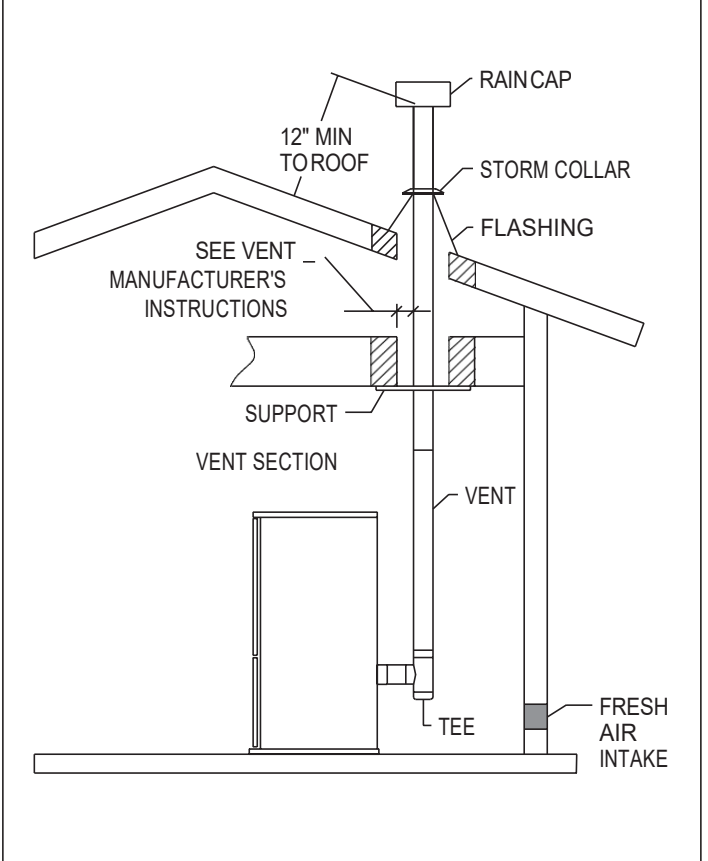


Fig. 11



CONNECTING TO A CONVENTIONAL CHIMNEY

The stove may be connected to an existing Class A chimney or a masonry chimney which meets the minimum requirements of NFPA 211. Using this kind of installation the pellet stove is able to draft naturally without exhaust blower operation (failure), reducing the probability of burn-back and back-drafting.

Check that the connection to the flueway is gas/smoke-tight, since the appliance operates in a vacuum.

- If you wish to use an existing chimney it is strongly recommended that you have it checked by a professional chimney sweep to ensure that it is completely airtight (Fig. 12). The reason for this is that the smoke, because it is slightly pressurized, can infiltrate any cracks in the flue and escape into living spaces. If upon inspection you find that the chimney is not completely sound, a relining of the chimney with either PL vent or single wall stainless steel pipe may be necessary to bring the chimney into compliance. If the existing chimney is wide enough we recommend a pipe with a maximum diameter of 6".

Put attention: some areas require that a liner must be always installed to the top of the flue, as shown in figure even if the existing chimney is in compliance (Fig. 13).

- When chimneys are relined, a chimney chase cap that reduces the outlet of the chimney to the size of the liner is required. Extend the exhaust vent above the chimney chase cap and finish it off with a rain cap. **A single wall liner may need to be insulated to maintain adequate exhaust temperatures in the vent system.**

Outside Chimneys frequently are difficult to keep warm: it is recommended that you insulate the liner.

- Venting into the side of an existing masonry chimney must be done through a masonry thimble. When wall penetration is necessary to access a masonry chimney, use a listed PL vent wall thimble (Fig. 12-13).
- When venting into a Class A steel chimney, (Fig. 14), use an appropriate PL Vent adapter.

Strictly observe the PL Vent manufacturer's safety specifications.

INSTALL VENT AT CLEARANCES SPECIFIED BY THE VENT MANUFACTURER.

Ensure that all installation work is carried out to professional standards.

Fig. 12

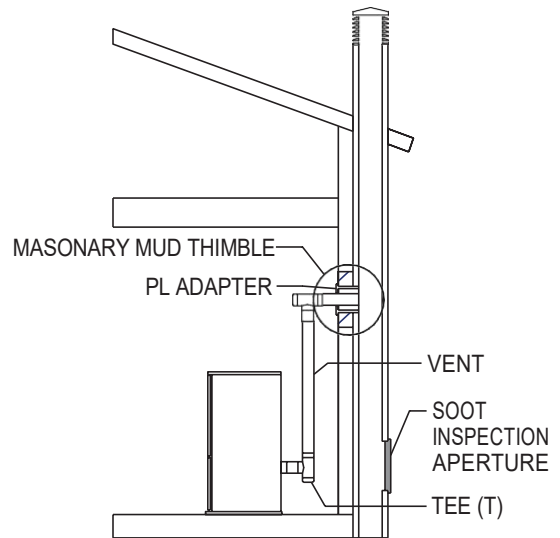


Fig. 13

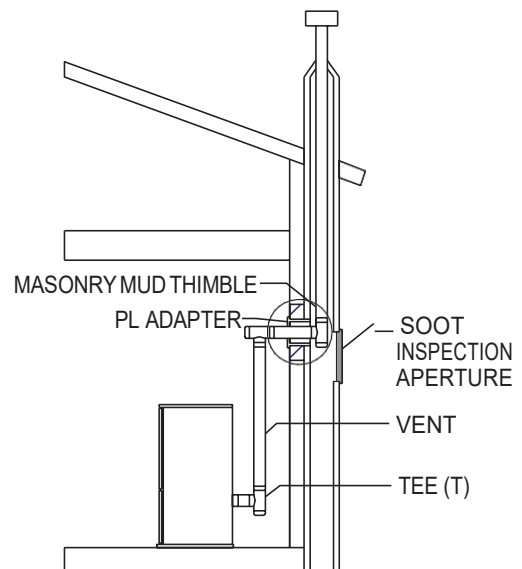
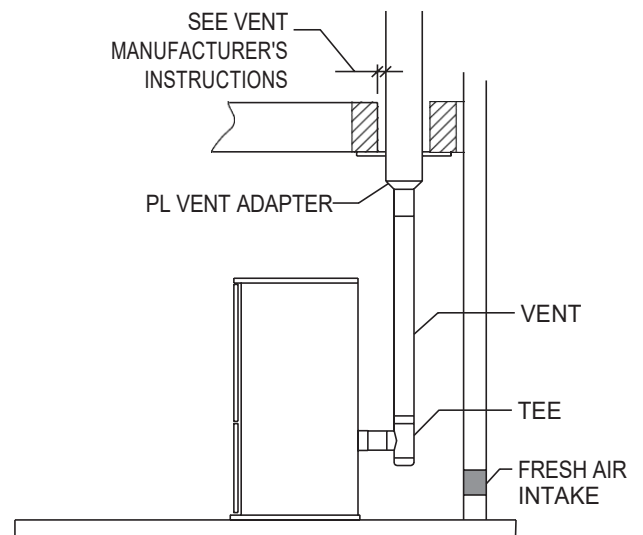


Fig. 14



INTO AN EXISTING FIREBOX CHIMNEY

This kind of installation also provides natural draft in the event of a power failure.

When installing a hearth mount stove into a firebox the unit must either be relined, terminating above the chimney chase top, or positively connected to the existing chimney system using a block off plate (Fig. 15-16).

An approved flex liner of PL vent must be used.

Put attention: some areas require that a liner must be always installed to the top of the flue, as shown in figure 16.

A chimney system with known drafting problems may require a liner, which may also need to be insulated to keep vent system warm in cold chimney environment.

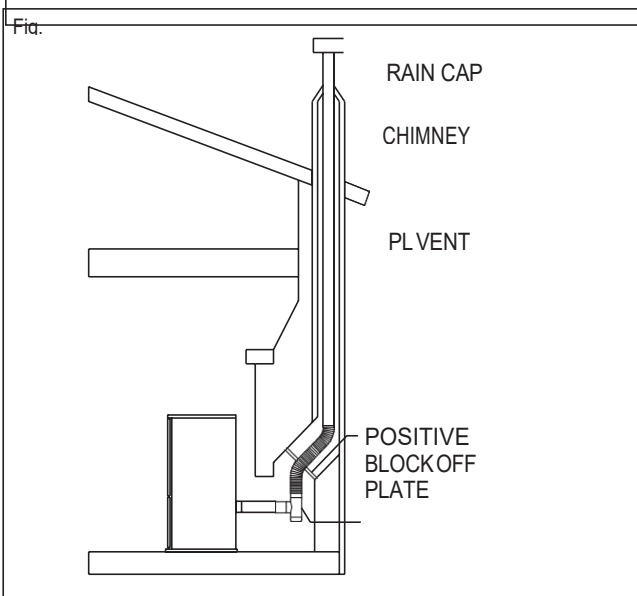
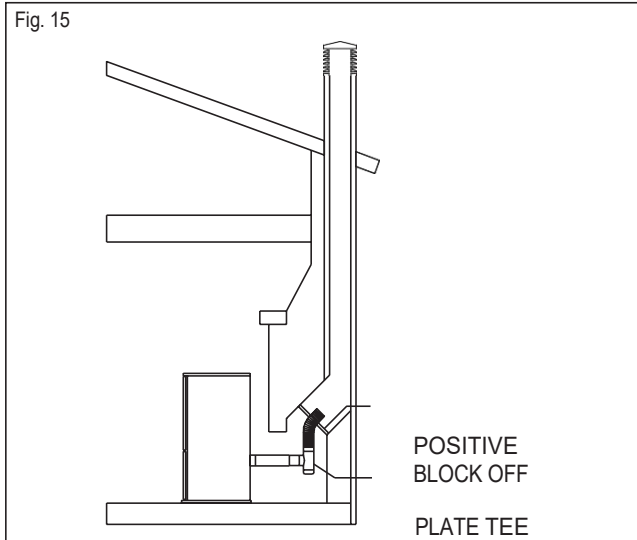
A cap shall be installed on the chimney to keep out rain.

Strictly observe the PL Vent manufacturer's safety specifications.

INSTALL VENT AT CLEARANCES SPECIFIED BY THE VENT MANUFACTURER.

Strictly use listed pellet vent pipe fittings.

Ensure that all installation work is carried out to professional standards



SHORT RISE INSTALLATION–WALL OUTLET

When terminating the exhaust system under the houses eaves, (Fig. 17)

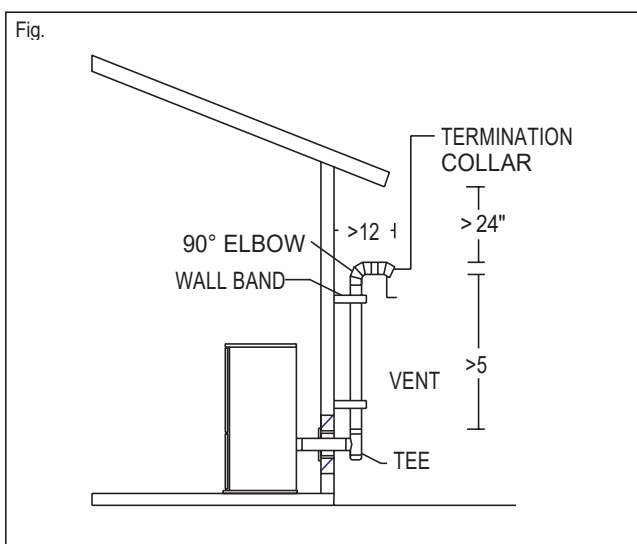
the following requirements shall be fulfilled:

- in selecting locations for appliance and vent, take into consideration the NPFA 211 6-3.5 rule for distance of exit terminal from window and openings;
- run the vent vertically up the wall, ensuring to maintain a minimum of 3" clearance between the wall and vent;
- a wall band must be installed just above the tee and at least every 6' of vent rise or, if the rise is inferior, at the end of the vertical run;
- **after a rise of at least 5' (1.5 m)**, install a 90° elbow aimed out from the building wall;
- attach a 45° elbow to the 90° elbow, aiming the second elbow down toward the ground. Terminate the vent with a collar with screen fastened to the 45° elbow;
- the end of the vent pipe system must be at least twelve inches (12") from the wall and 24" below the eave.

This configuration will help prevent blockage of vent by snow drifts. Also the minimum vertical run of 5 feet (1.5 m) ensures the ventilation of the exhaust in the event of a power failure, and allow for easier cleaning through cleanout on tee.

-Certain local code restrictions may apply. Check with Local Officials first before installing.

-Strictly observe the PL Vent



manufacturer's safety specifications when using wall pass through.

-INSTALL VENT AT CLEARANCES SPECIFIED BY THE VENT MANUFACTURER.

-Double wall PL vent requires a minimum clearance to combustibles according to the manufacturer's safety specifications and the use of listed wall thimble, fire stop or roof flashing where applicable.

-Do not place joints within wall pass throughs.

-Ensure that all installation work is carried out to professional standards.

VENTING: TERMINATION REQUIREMENTS

In determining optimum vent termination, carefully evaluate external conditions especially when venting directly through a wall. Since you must deal with odors, gases, and fly ash, consider aesthetics, prevailing winds, distances from air inlets and combustibles, location of adjacent structures and any code requirements.

- Exhaust must terminate above combustion air inlet elevation.
- Do not terminate vent in any enclosed or semi-enclosed area, (i.e. Carports, garage, attic crawl space, etc.) or any location that can build up a concentration of fumes.
- Terminals must not be recessed into a wall or siding.
- When setting into place flue caps you should consider wind factors such as dominate wind directions and currents in order to avoid down draft, fly ash and/or smoke.

-Vent surfaces can get hot enough to cause burns if touched by children.

Non-combustible shielding or guards may be required.

- Be sure to use approved pellet vent pipe and wall pass-through fittings to go through combustible materials.

The type of installation must first be considered before determining the exact location of the venting termination in relation ship to doors, window, cavities or air vents. See figures 18-19.

Without outside combustion air connected to the unit.

For These types of installations please refer to the dimensions listed in figure 18.

The clearance to a door, window or cavity must be at least:

- 4' (1.2 m) below;
- 4' (1.2 m) horizontally;
- 1' (305 mm) above.

The clearance to fresh air intake for combustion of the pellet stove or any other appliance, or the non-mechanical air supply inlet to the building must be at least 4' (1.2 m).

The clearance to a mechanical air supply inlet to the building must be at least 10' (3 m).

With outside combustion air connected to the unit.

For These types of installations please refer to the dimensions listed in figure 19.

Fig. 18

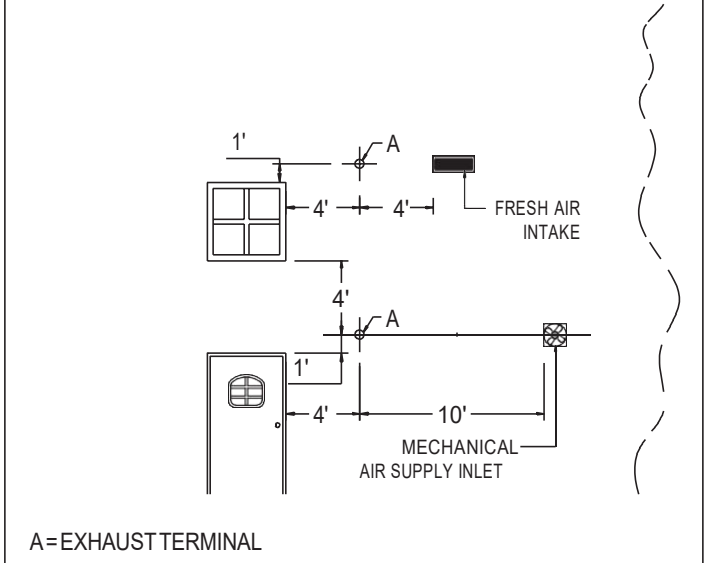
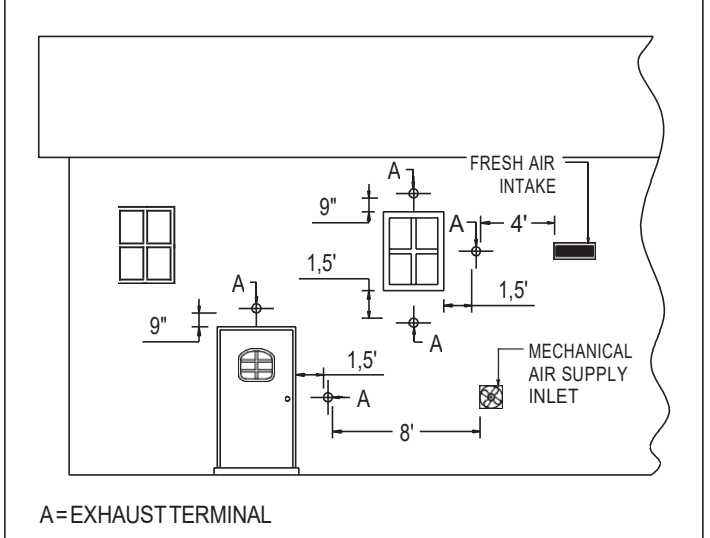


Fig. 19



The clearance to a door, window or cavity must be at least:

- 1.5' (458 mm) below;
- 1.5' (458 mm) horizontally;
- 9" (230 mm) above.

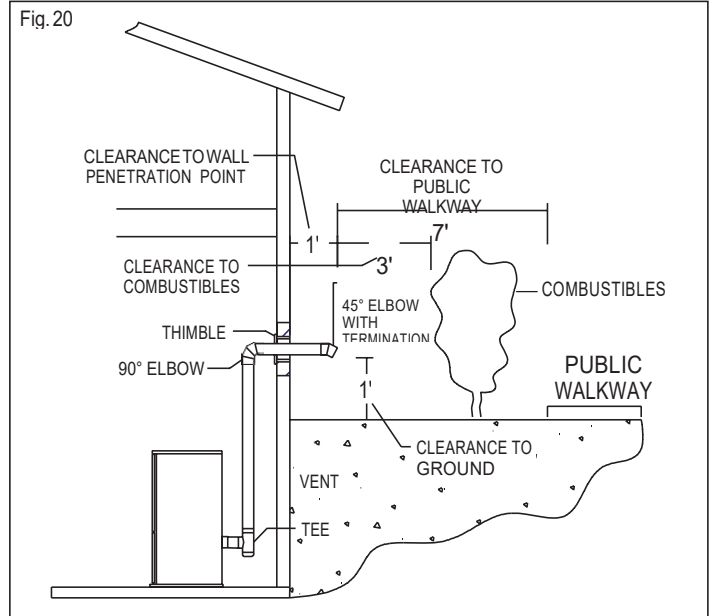
The clearance to fresh air intake for combustion of the pellet stove or any other appliance, or the non-mechanical air supply inlet to the building must be at least 4' (1.2 m).

The clearance to a mechanical air supply inlet to the building must be at least 8' (2.5 m).

- The exhaust termination location (Fig. 20) must be at least:
 - 1' (305 mm) above the ground level. Attention : the minimum vertical rise shall always be not less than 5' (1.5 m).
A flue at 1' above ground is not infantsafe: we strongly reccomend that the exhaust termination of flue be raised another 4' to avoid injury.
 - 7' (2.1 m) from a public walkway, but attention to where the vent shall end its course, as it is not to be in between or serve two family dwellings and/or directly above side-walks or paved driveways;
 - 1' (305 mm) from the wall penetration point;
 - 3' (915 mm) from a gas meter/regulator assembly;
 - 3' (915 mm) from any adjacent combustibles such as: adjacent buildings, fences, protruding parts of the structure, roof eaves or overhangs, plants, shrubs, etc.

**-The exhaust gases from the combustion of pellets fuel may dirty the outside of the walls.
To avoid such possibility terminate the vent above the roof line.**

-Ensure that all installation work is carried out to professional standards.



PREVENTION OF DOMESTIC FIRES

The product must be installed and used in compliance with the manufacturer's instructions and national standards as well as local regulations.

-When a flue pipe passes through a wall or a ceiling, special installation methods must be applied (protection, thermal insulation, distances from heat-sensitive materials, etc.) See the paragraph from "INTERIOR VENT INSTALLATION" to "SHORT RISE INSTALLATION - WALL OUTLET".

- It is also recommended that all elements made of combustible or inflammable material, such as beams, wooden furniture, curtaining, flammable liquids, etc. be kept outside the heat radiation range of the stove and at a distance of at least 32" / 80 cm from the heating block.
- For other information, see the paragraph from "**MINIMUM SAFETY DISTANCES**" to "**VENTING: TERMINATION REQUIREMENTS**".
- The flue pipe, chimney stack, chimney and fresh air intake must always be free of obstructions, clean and checked periodically, that is, at least twice during the seasonal period from the lighting of the stove and during its use. When the stove has not been used for some time it is advisable to carry out the checks mentioned above. For further information, consult a chimney sweep.
- Only use recommended fuels (See section "**FUEL**").

MOBILE HOME INSTALLATION

The stove has been tested and listed for mobile home installations.

Unit must be installed in accordance with the: **Manufactured Home and Safety Standard EN14785:2006, CFR**

In addition to all previously detailed requirements, mobile home installations must observe the following:

- Permanently bolt the stove to the floor. Use 4 screws [A] through the 4 holes placed at left and right side in the base plate as shown in figure 21.
- Electrically ground the stove to the metal chassis of the home using a number 8, gauge or larger copper wire [B].
- Maintain an effective vapor barrier at location where PL vent exits the structure.
- Floor protection and clearances requirement must be followed precisely as shown in the previous paragraphs.
- PL Vent must be used for exhaust venting. (Single wall vent is not allowed). Follow PL Vent manufacturer's installation directions and observe all listed clearances to combustibles.
- Check any other local buildings codes or other codes that may apply.

WARNING: DO NOT INSTALL IN A SLEEPING ROOM.

Combustion air must come from the outside of the mobile home!

Failure to do so may create negative pressure within the mobile home and could disrupt proper venting and operation of the pellet stove.

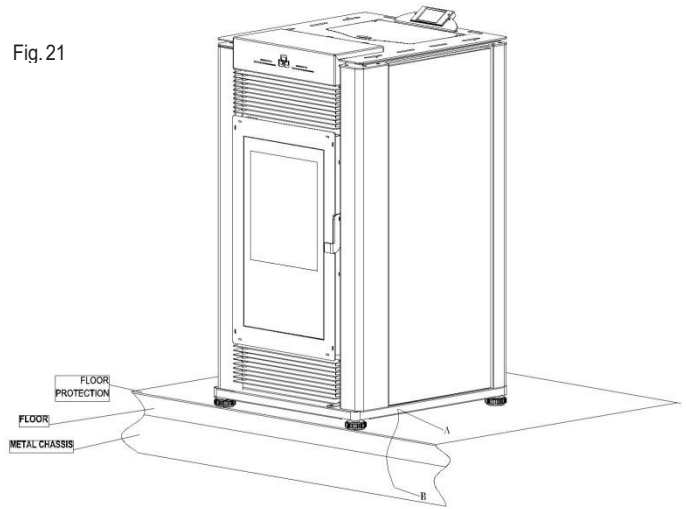
The user must routinely inspect the point where air is drawn in to insure that it is clear of leaves/debris and ice or snow.

CAUTION: THE STRUCTURAL INTEGRITY OF THE FLOORS, WALLS, CEILING AND ROOF MUST BE MAINTAINED.

The stove is hot while running. Keep children, clothing and furniture away. Contact may cause skin burns.

Keep combustible materials such as grass, leaves, etc. at least 4 ft away from the point directly under the vent termination.

Fig. 21



2.0 TECHNICAL CHARACTERISTICS AND SPECIFICATIONS

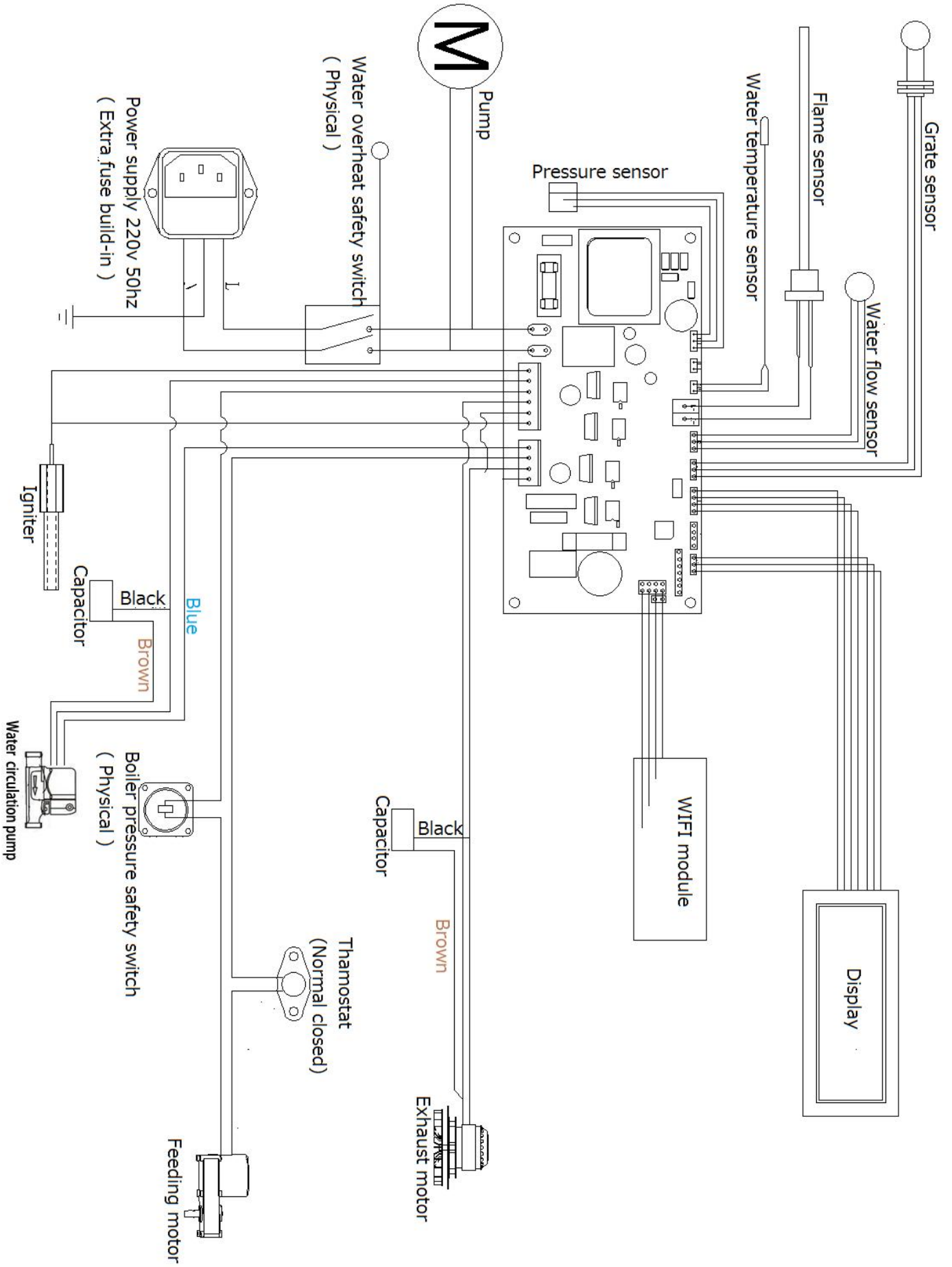
Features

Cladding: Printed steel with majolica insert
Interior:..... steel
Baffle plate and hearth:..... cast iron
Grate: cast iron
Door: Printed steel with double ceramic glass heat resistant up to 1382°F / (750°C)
Handle: in printed steel
Control panel: LCD color touch screen with remote control
Timer thermostat: standard with daily, weekly and weekend programming modes divided into four time period
Power setting:..... from 1 to 4
Ash Clean: manually
Ash drawer: removable
Fuel: natural pure wood pellets (see section "FUEL")
Heating:..... forced ventilation

***WHEN THE STOVE IS AUTOMATIC ASH CLEANING, THE STOVE WILL STOP , UNTIL THE ASH CEALN FINISHED, STOVE WILL RESTART AUTOMATICALLY.**

ACCESSORIES AND EQUIPMENT

Description	
NTC 10K room temperature sensor	In kit
Flexible cable L = 4.9' / (150 cm)	In kit
Door handle tool	In kit
Grate baffle plate	In kit
User's manual	In kit
Remote control	In kit
Pellet pusher	In kit
frame	In kit



3.0 FUEL

The wood pellet is obtained by pressing wood sawdust left over from the working of natural dried wood. The typical small, cylindrical form is obtained by passing the material through a die. Thanks to lignin, a natural element which is released during the pressing of the raw material, the pellets acquire a good consistency and compactness without requiring treatment with additives or caking agents.

There are various types of pellet on the market with qualities and characteristics that vary depending on the processes they have undergone and the type of wood used in their production.

Since the characteristics and quality of the pellet considerably affect stove performance, efficiency and proper operation, we recommend that you use high-quality pellets.

Manufacturer and distributor has tested and programmed its stoves and can ensure best performance and trouble-free operation using pellets with the following specific characteristics:

Pellet characteristics	
Components	natural pure wood pellet
Length, approx.	1/4" – 1 1/4" / (7 – 30 mm)
Diameter, approx.	0.23" – 0.25" / (6 – 6.5 mm)
Apparent density, approx.	40.5 lb/ft ³ / (650 kg/m ³)
Net heat value, approx.	8000 BTU/lb / (5 kWh/kg)
Moisture content, approx.	< 8%
Residual ash, approx.	< 0.5%
N.B. the above data refer to beech/fir wood pellets	

To ensure trouble-free operation:

DO NOT use pellets with dimensions other than those recommended by the manufacturer.

DO NOT use poor quality pellets containing sawdust, bark, maize, resins or chemical substances, additives or adhesives.

DO NOT use damp pellets.

Choosing other and unsuitable pellets

- obstructs the grate and flue gas pipes;
- increases fuel consumption;
- reduces efficiency;
- means that proper stove operation cannot be guaranteed;
- causes dirt to build up on the glass;
- leaves particles which have failed to burn and heavy cinders.

The presence of moisture in the pellets increases their volume and causes them to split which in turn causes:

- malfunction of the fuel-loading system;
- inefficient combustion.

Pellets should be stored in a sheltered, dry place.

To use good quality pellets with dimensions and heat-producing properties other than those recommended above, it will be necessary to change the stove operating parameters.

The use of cordwood is prohibited. Do not burn garbage or flammable fluids such as gasoline, naphtha or engine oil.

This "customisation" of stove settings must be carried out by authorised personnel by distributor

Using pellets that are out of date or not in conformity with the manufacturer's recommendations not only damages the stove and jeopardises its performance, but can render the guarantee null and void and relieves the manufacturer of all liability.

4.0 PREPARING FOR INSTALLATION

To prevent accidents or damage to the product we recommend the following:

- unpacking and installation must be carried out by at least two people;
- every operation involving movement of the product must be carried out with the proper tools in full compliance with current safety regulations;
- the packaged product must be kept in the position according to the directions shown by the diagrams and notices on the pack;
- if ropes, straps or chains are used, ensure that they are able to take the weight of the pack and that they are in good condition;
- never stand in the vicinity of loading/unloading equipment (forklift trucks, cranes etc);

Unpack the product being careful not to damage or scratch it, take the accessories pack and any pieces of polystyrene or cardboard used to wedge moveable parts etc. out of the stove firebox. Keep packaging (plastic bags, polystyrene, etc.) out of reach of children, since it could be a potential source of danger, and dispose of according to local regulations.

To make moving and handling of the stove easier for installation purposes, it is advisable to remove the cladding in accordance with the procedure described in the paragraph "REMOVING THE CLADDING" and then refit it upon completion of installation. If you decide to install the stove without removing the cladding, take great care not to buckle, scratch or in any way damage the bottom of the side panels and the lower front panel.

Installation and assembly of the stove must be carried out by qualified personnel.

5.0 USE

The pellet stove is a different type of heater. Its operation and maintenance differ from the traditional wood stove. Follow these operating instructions exactly as stated to ensure safe and reliable operation.

- Do not use the stove as a cooking appliance.
- Ensure that the room in which the stove is installed is sufficiently well ventilated (fresh air intake).
- A certain amount of carbon monoxide may be produced within the stove as a by-product of combustion. All exhaust vent connections must be sealed with RTV silicone to assure a gas tight seal. Any leaks into a confined area caused by faulty installation or improper operation of the stove could produce dizziness, nausea and in extreme cases, death.
- Check (or have checked) regularly that the flue is clean.
- Under no circumstances use fuels other than pellets.
- Remove any deposits of unused pellets left by failed ignition before restarting the stove.

Direct contact with the stove while operating may cause skin burns.

During operation some parts of the stove (door, handle, controls, ceramic parts) can reach high temperatures. Take great care and all the necessary precautions, especially in the presence of children, the elderly or disabled and pets.

Keep any inflammable object well away from the stove while it is in use (MINIMUM 32" - 80 cm) from the front panel.

While in use the door must remain closed and the glass must be present and intact.

The removal of the protective grille inside the pellet hopper is strictly prohibited.

If replenishing with pellets while the stove is lit, ensure that the bag does not come into contact with any hot surfaces.

Operate this unit only with the fuel hopper lid closed. Failure to do so may result in emission of products of combustion from the hopper under certain conditions. Maintain hopper seal in good condition.

LOADING THE PELLETS

• When lighting your stove for the first time, or any time you have run out of Pellets, you will need to fill the hopper. Pellets are fed from the hopper to the burn pot by an auger. A high torque motor that is capable of doing serious harm to fingers drives the auger and for this reason in the pellet stoves a protective grille inside the hopper is placed.

Don't remove the protective grill inside the pellet hopper.

• To load the pellets into the hopper it is advisable to tear off the edge of the sack and empty the sack directly into the hopper. This makes filling easier and avoids pouring pellets on top of the stove.

Do not allow sawdust to accumulate on the bottom of the hopper.

Do not leave leftover pellets on top of the stove – they could catch fire!

Do not overfill hopper.

Maintain hopper seal in good condition.

DO NOT RELOAD WITH PELLETS WHEN THE APPLIANCE IS LIT if the red reload indicator inside the pellet hopper is visible (see figure to the side).

To load with pellets if the red reload indicator is visible, proceed as follows:

- shut down the appliance;
- load the hopper as described above.

The auger must have the time to fill; during this stage the pellets are not distributed inside the firebox and it is more than likely that the first attempt to ignite the appliance fails; empty and clean the grate. Lighting again the stove.

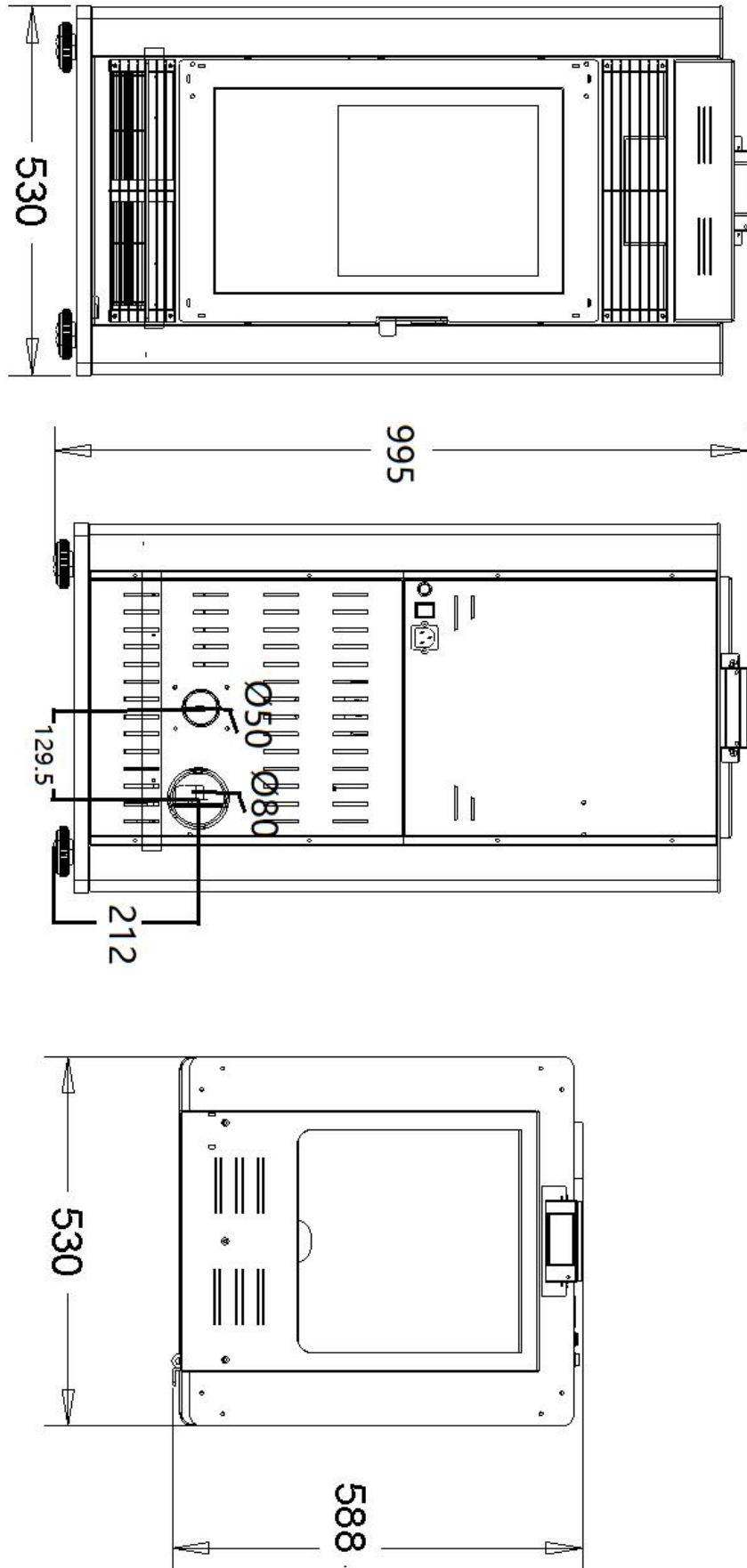


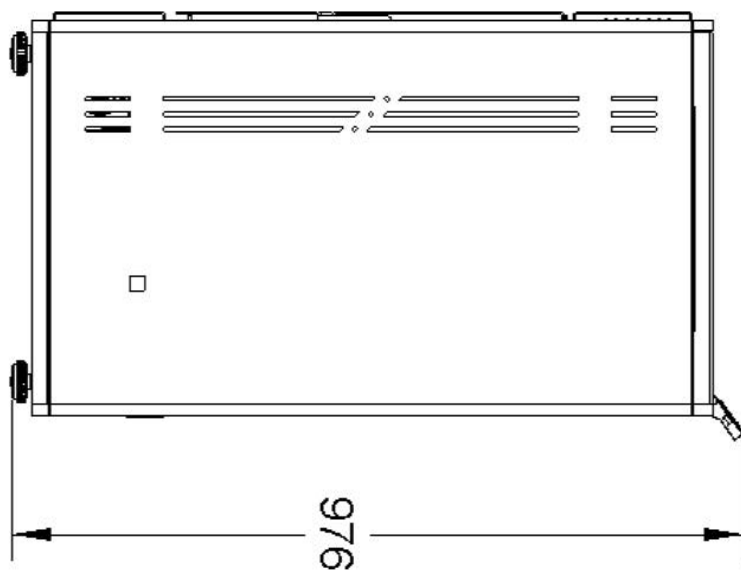
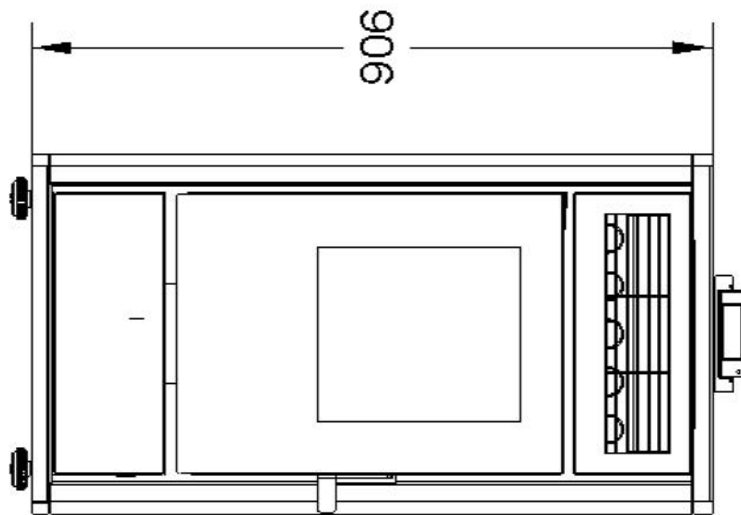
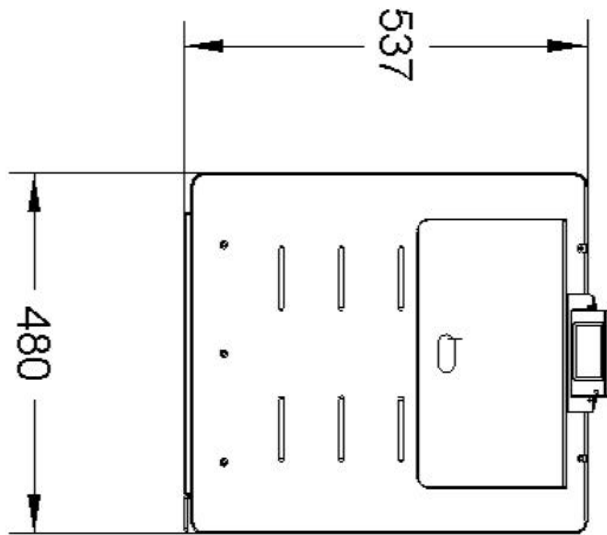
If an alarm is triggered, deactivate the appliance by pressing the ON/OFF key for a few moments, remove the fuel to be found in the grate and set a new ignition cycle.

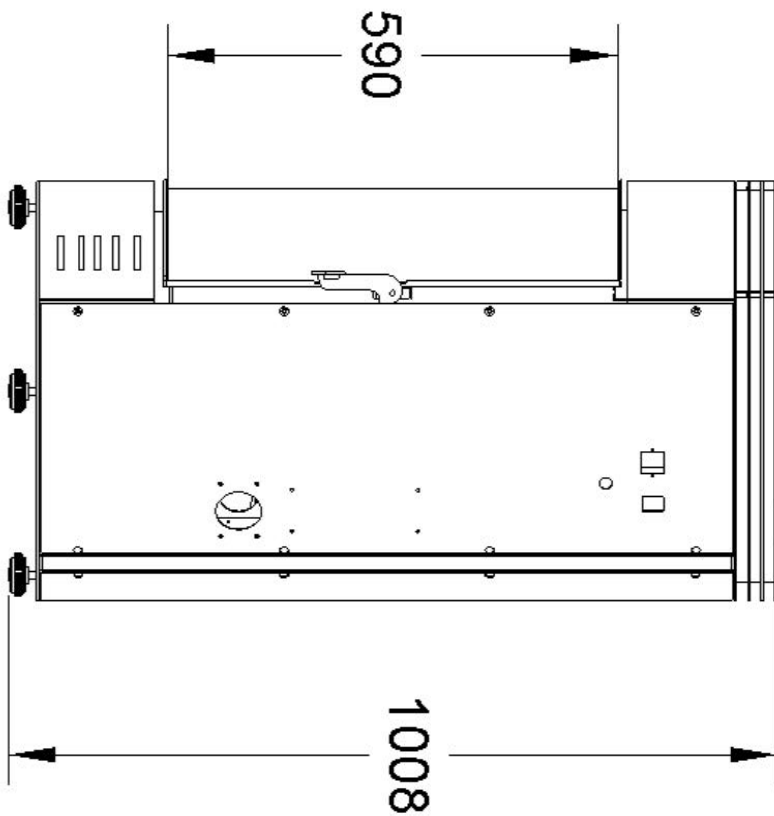
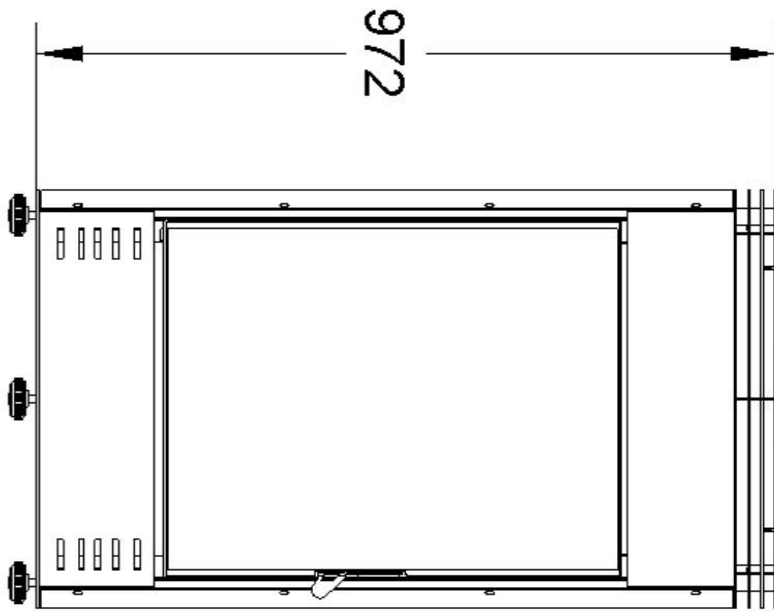
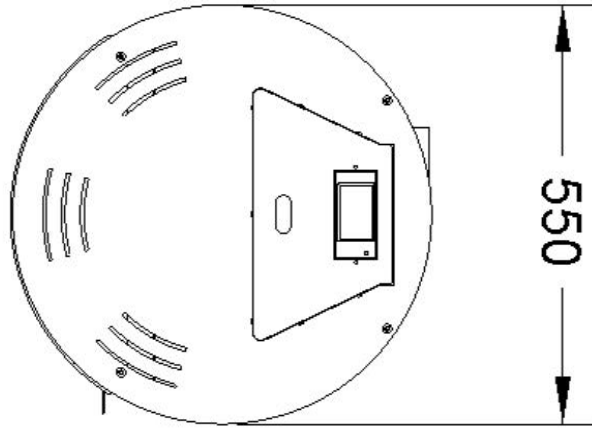
Any unburned pellets to be found in the grate must be disposed of.

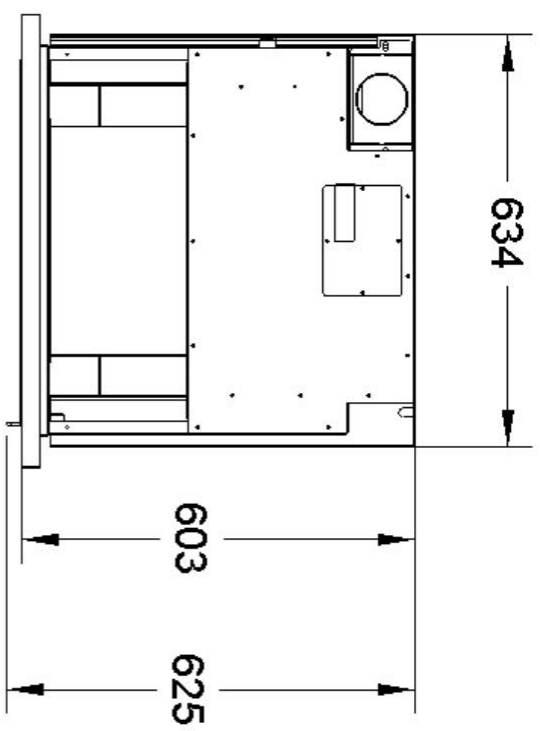
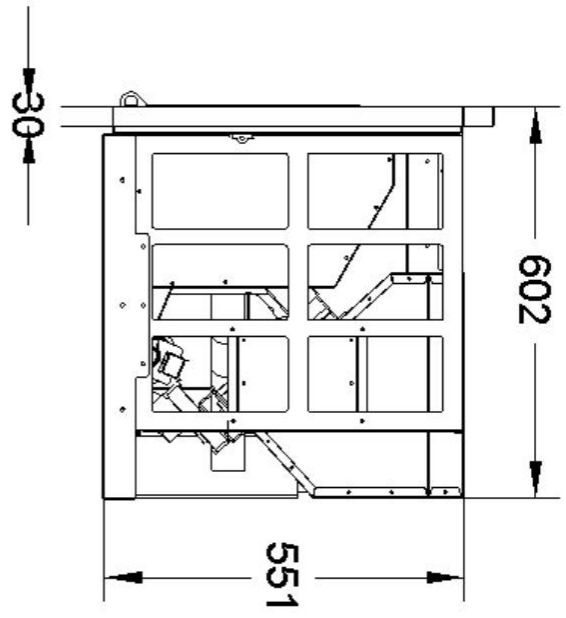
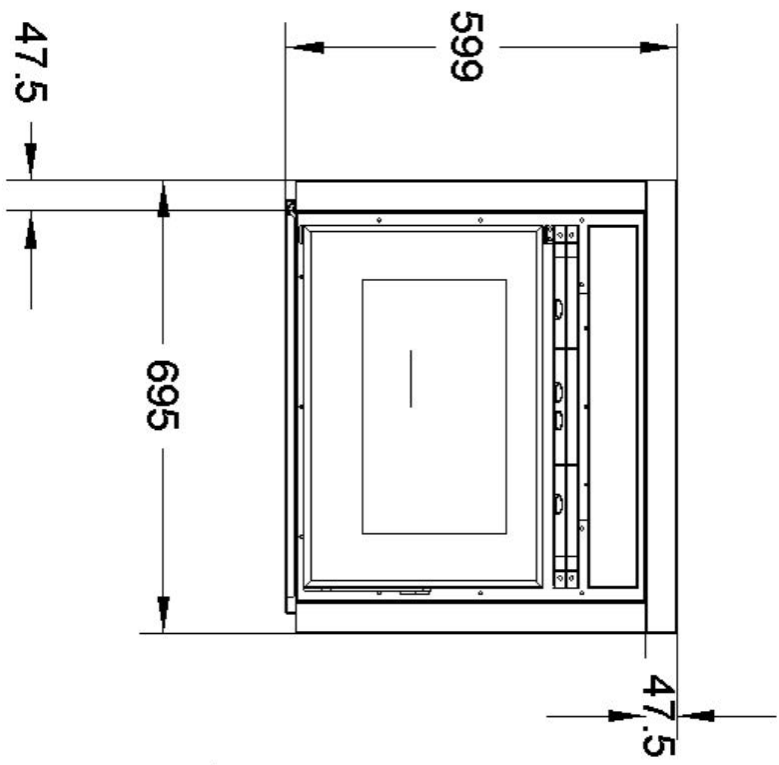
6.0 PRODUCT AND CONTROL SYSTEM

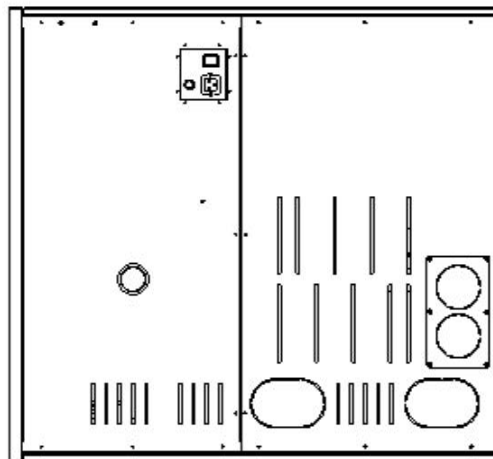
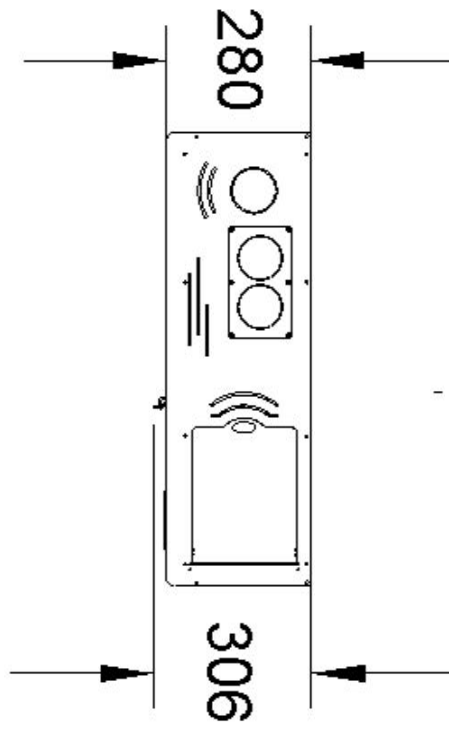
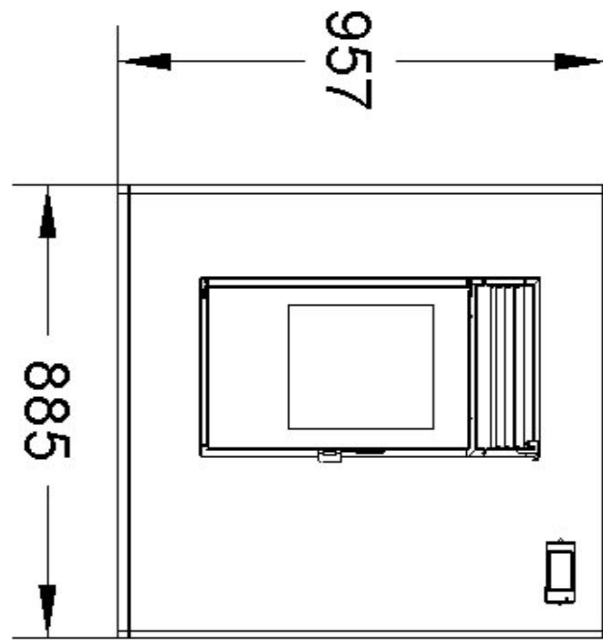
6.1 Product

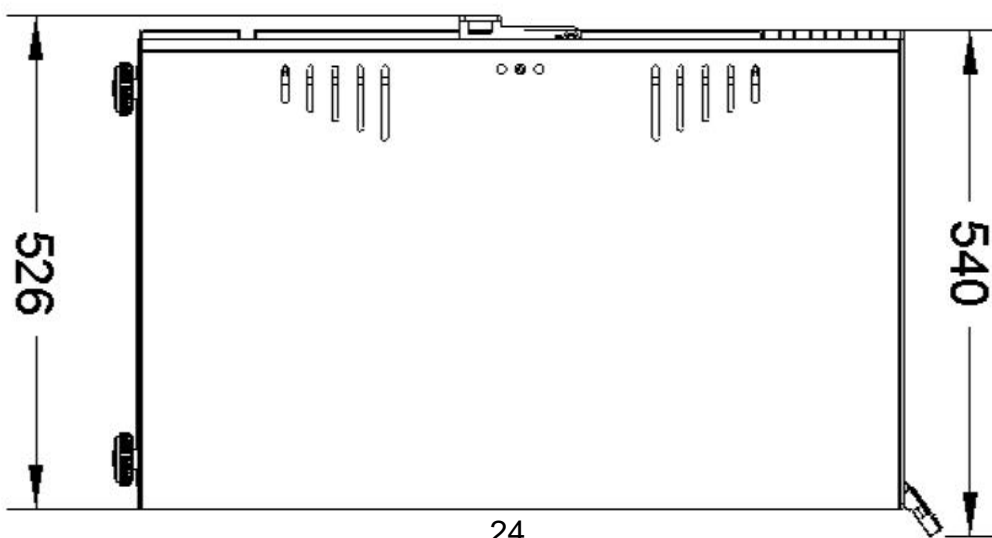
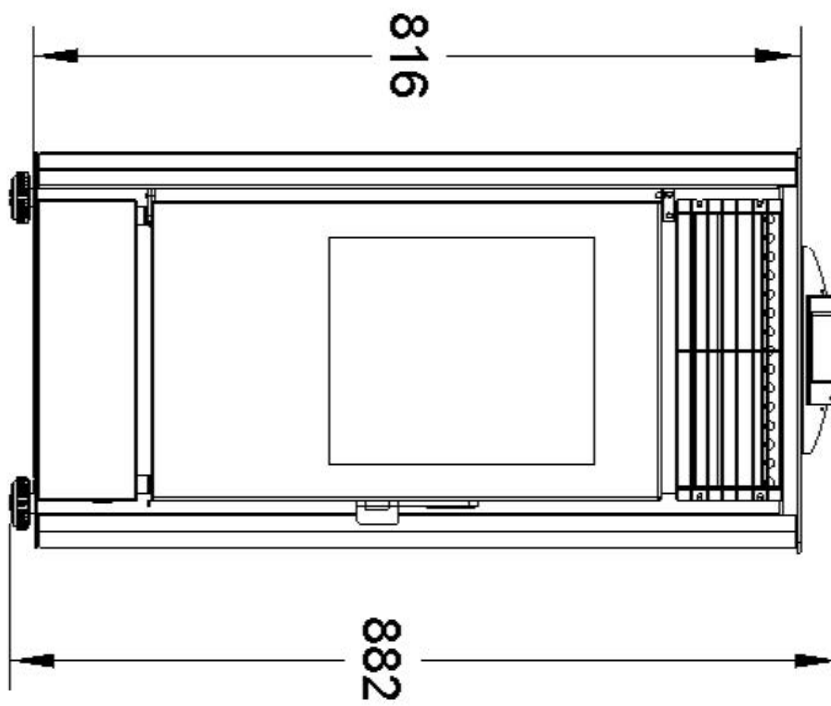
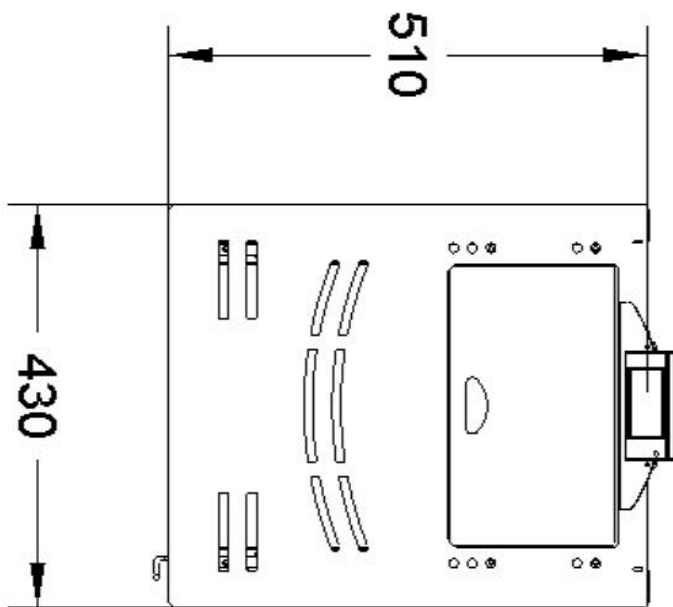












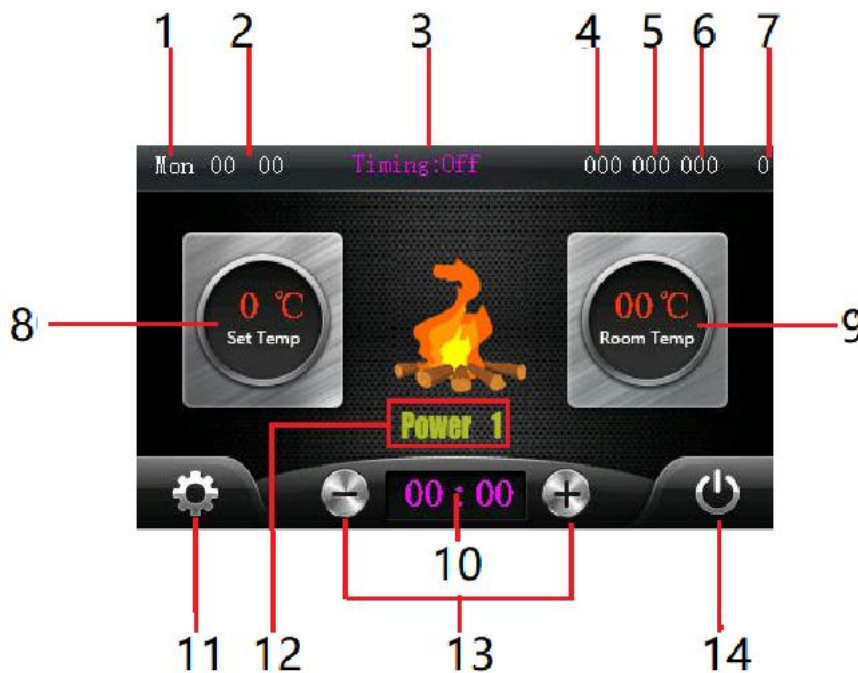


Fig. 25

- ① Week
- ② Current time
- ③ Weekly timing program, click to turn on or off
- ④ stove negative pressure value
- ⑤ Water flow value (Water heating stove only)
- ⑥ Smoke temperature
- ⑦ WIFI connection condition
- ⑧ Setting temperature, click it and click + / - to adjust.
- ⑨ Current Room temperature
- ⑩ Simple timing delay program
- ⑪ Settings button, click to enter the settings page
- ⑫ Current working state / power level
- ⑬ + / - button, for set temperature and quick timing delay
- ⑭ Switch button, click to turn on / off stove.

6.3.Control system- Setting page



Fig. 26

- ① Return to main page
- ② Press for water temperature setting (10 - 85)
- ③ Press for fire level setting, “0”is auto mode, stove will adjust the power automatically.
1 ~ 4 is manual mode, stove will run in fixed power
- ④ pellet feeding speed setting, 0-10

	Feeding Speed (%)	Fan Speed (RPM)
0	-25%	+250
1	-20%	+200
2	-15%	+150
3	-10%	+100
4	-5%	+50
5	0	0
6	+5%	-50
7	+10%	-100
8	+15%	-150
9	+20%	-200
10	+25%	-250

- ⑤ Current time setting
- ⑥ Week setting
- ⑦ Timing program, click to entering

- ⑧ Factory mode, click and input the password to entering
- ⑨ Number plate, for setting the value
- ⑩ Total working time
- ⑪ Click to connect WIFI module

6.4 .Control system- Timing



Fig. 27

- ① Week,click to choose for timing program
- ② Click the select and choose the “week”, then click save
- ③ Auto boot time (24 hours per day)
- ④ Run time, For example, run two hours and three minutes, then input 02 30 into the form
- ⑤ Stage, click to change, four stages for one day, the boot time should not be earlier than the
- ⑥ Number plate, for setting the time

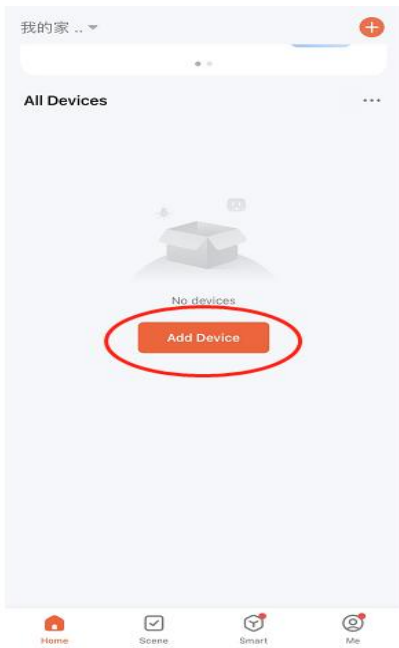
6.5 Connect WIFI module

1. Down load app

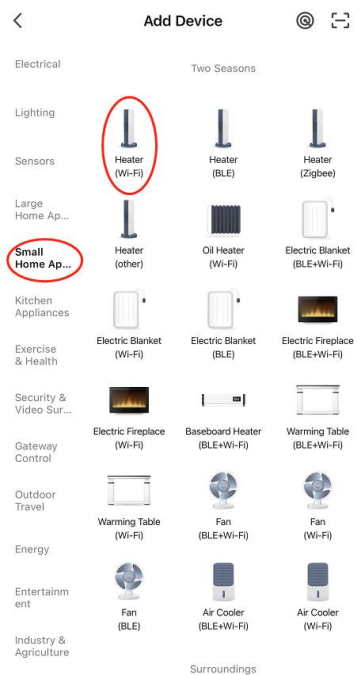


2. Regist and login Tuya app

3. Click to add mew devoce



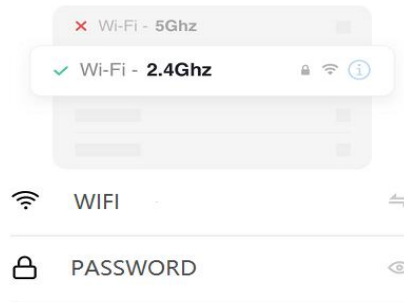
4. Choose "small home appliance" - Heaters (WIFI)



5. connect with the WIFI which your mobile phone already connected

Select 2.4 GHz Wi-Fi Network and enter password.

If your Wi-Fi is 5GHz, please set it to be 2.4GHz. [Common router setting method](#)



6. click "Blik quickly" (but this WIFI module doesn't have any lights)

Reset the device



Press and hold the RESET button for 5 seconds until the indicator blinks (subject to the user manual).

Confirm the indicator is blinking rapidly.

[Reset Device Step by Step](#)

7. Click the stove display settings - Connect WIFI,(page 21. No.11) ,then wait around 30 seconds, the app will find your device.

Connecting Device
Keep the network stable.

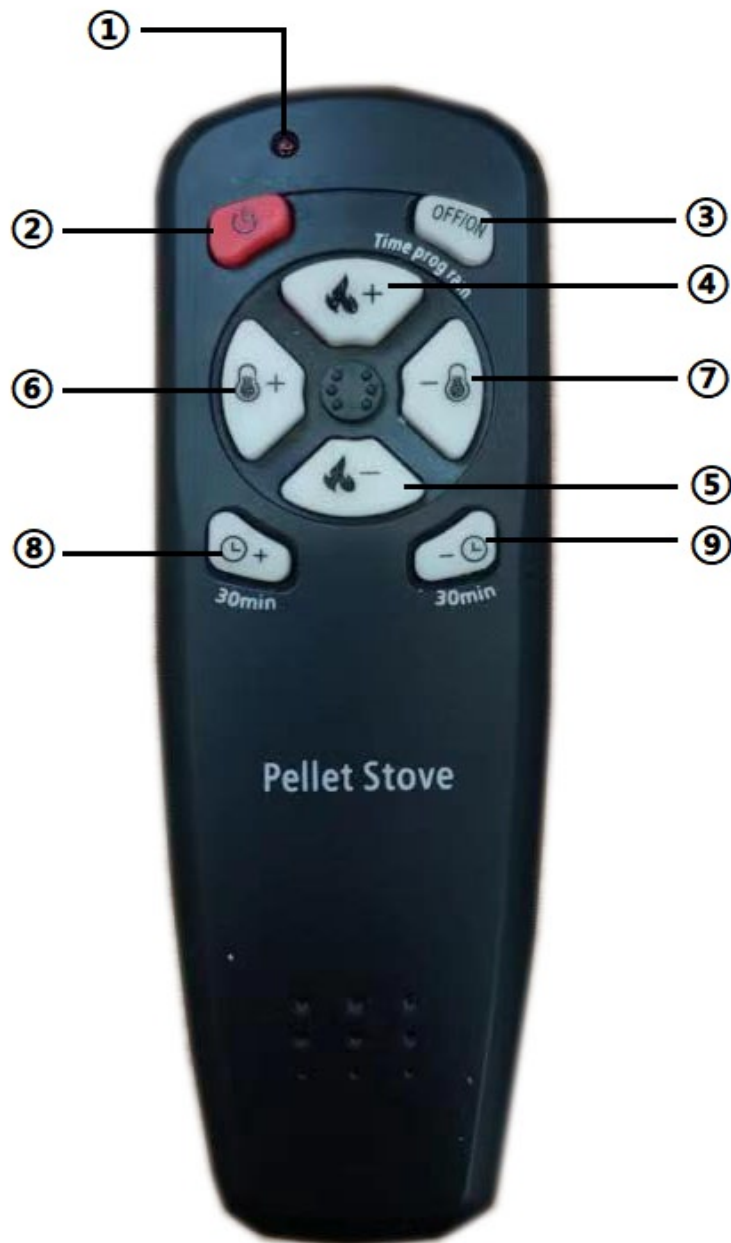


01:56



8. Click the Device you found, and confirm to add, then you can control the stove by mobile phone

6.6 Remote control



1. Indicator light
2. Turn on / Turn off
3. On / Off weekly timing progra
4. Fire level +
5. Fire level -
6. Temperature +
7. Temperature -
8. Time delay + 30 minutes
9. Time delay - 30 minutes

7.0 ERROR AND SOLUTION

Error Code	Error Name	Possible Error	Solution
E1	Room / water temperature sensor failure	<ol style="list-style-type: none"> 1. Bad wires connection with control board 2. Sensor broken 	<ol style="list-style-type: none"> 1. Check the wire connection with control board 2. Replace a new sensor
E2	Smoke sensor failure	<ol style="list-style-type: none"> 1. Bad wires connection with control board 2. Sensor broken 	<ol style="list-style-type: none"> 1. Check the wire connection with control board 2. Replace a new sensor
E3	Ignition failure / fire failure	<ol style="list-style-type: none"> 1. The hopper is empty 2. The feeder be jammed by the pellets 3. Pellet feeding is too much / less for current power level 	<ol style="list-style-type: none"> 1. Reload the pellets 2. Check and clean the feeding system 3. Adjust the Feeding speed (page 24 No.4)
E4	Burning grill wrong position	Burning grill is not in the right place	<ol style="list-style-type: none"> 1. Check the ash tray if it's full 2. Restart the stove and wait the stove correct the position of grill automatically
E5	Burning chamber pressure abnormal	<ol style="list-style-type: none"> 1. Hopper is open 2. Stove door is open 3. Exhaust way blocked 	<ol style="list-style-type: none"> 1. Close the hopper 2. Close the door 3. Check and clean the ash store (Page 22 No.6) and all smoke tubes
E6 (hydro / boiler only)	Water flow error	<ol style="list-style-type: none"> 1. Too much air inside of boiler tank, tank not totally full 2. Water flow sensor bad connection with board 3. Water flow sensor broken 4. Water pump not working 	<ol style="list-style-type: none"> 1. Open the air release valve (page 21 Part 30). turn on the water supply for the boiler until the tank totally full filled by the water 2. Check the wires connection 3. Replace a new sensor 4. Check the power connection of pump / replace new pump
E7 (hydro / boiler only)	Water overheat	<ol style="list-style-type: none"> 1. Pellet feeding speed is too high (too much power) 2. Water sensor broken 	<ol style="list-style-type: none"> 1. Adjust the feeding speed (Page 24 No.4) 2. Check the sensor connection or replace a new sensor
E8	Electric supply error	Voltage or frequency error	1. Check the power supply
E9	Maintenance required	<ol style="list-style-type: none"> 1. Total working time (Page 24 No.10) over 900 hours, Display show E9 and keep working normally 2. Total working time over 1200 hours, stove only can work in Power1 	1. Contact the local distributor to do the maintenance and reset the total working time

8.0 MAINTENANCE

In order for the furnace to function properly, certain maintenance tasks must be performed, which usually depends primarily on run time and fuel quality. Some of them must be done every day, while others can only be done once in a season. The user is responsible for performing cleaning and maintenance tasks, some of which can be performed directly by the user. Other tasks must be requested from the technical service department designated and authorized by the manufacturer or distributor.

*** ALL OPERATIONS MUST BE PERFORMED WHEN THE FURNACE IS COMPLETELY COOLED.**

***BEFORE MAKING ANY CLEANING OR MAINTENANCE, MAKE SURE THE FURNACE IS DISCONNECTED FROM THE POWER SUPPLY.**

8.1 .Table of maintenance

Then we describe a set of maintenance operations and the recommended frequency. Keep in mind that the frequency of instructions for maintaining and collecting ash is usually for burning high quality pellets which made of the pine wood, which may need to be done more frequently depending on the quality of the fuel used.

Operation and operator	frecuencia				
	8-12 hours	1 day	2-3 days	1 month	1 season
Cleaning fire box (users)	X				
Cleaning ashtray (users)			X		
Cleaning the glass door (users)			X		
Cleaning of smoke ash chamber (users)				X	
Heating exchanger and smoke way cleaning (Specialized Technical Service)					X
Deep cleaning of the combustion chamber (Specialized Technical Service)					X
Chimney cleaning (uninstallation) (Specialized Technical Service)					X
Annual inspection (Specialized Technical Service)					X

1. CLEAN FIRE BOX AND ASH TRAY (using a vacuum cleaner is suggested)

2. CLEAN GLASS DOOR

Periodically clean the glass door of the stove with a degreasing product (non-corrosive or abrasive). If the glass is still hot, before cleaning, leave the stove door open for the time necessary to cool it. Do not use materials that can damage or scratch the glass.

3. CLEANING THE SMOKE CHAMBER

After a certain time using, there will be many ashes in the smoke chamber, if too much ashes in the chamber, the chamber may be blocked by the ashes and make the bad burning performance, we suggest to clean the smoke chamber in each month.

4. HEATING EXCHANGER AND EXHAUST WAY CLEANING

After a certain time using, there will be many ashes in the smoke chamber, if too much ashes in the chamber, the chamber may be blocked by the ashes and make the bad burning performance, we suggest to clean the smoke chamber in each month.

5. CHIMNEY CLEANING (UNINSTALLATION)

It is recommended to continue with this maintenance in the extraordinary cleaning phase. Remove the connector from the "T" socket and clean the entire duct. It is necessary that at least the first time be performed by qualified personnel. It is also recommended to clean the "T" cap at least once a month.

6. ANNUAL INSPECTION

We call "annual inspection" an extraordinary maintenance, in which a complete and complete cleaning of the stove is made, as well as a verification of the operation of all the devices of the stove and the state of wear.

You must also clean the chimney (unloading installation) to ensure proper functioning of the fireplace of the stove as a whole and make the necessary adjustments.

The frequency with which it must be performed is indicated in the maintenance table.

The annual inspection can only be carried out for qualified personnel or an authorized person.

